



2-way Type T/P coaxial valve trim
TEV93



Specifications

Descriptions

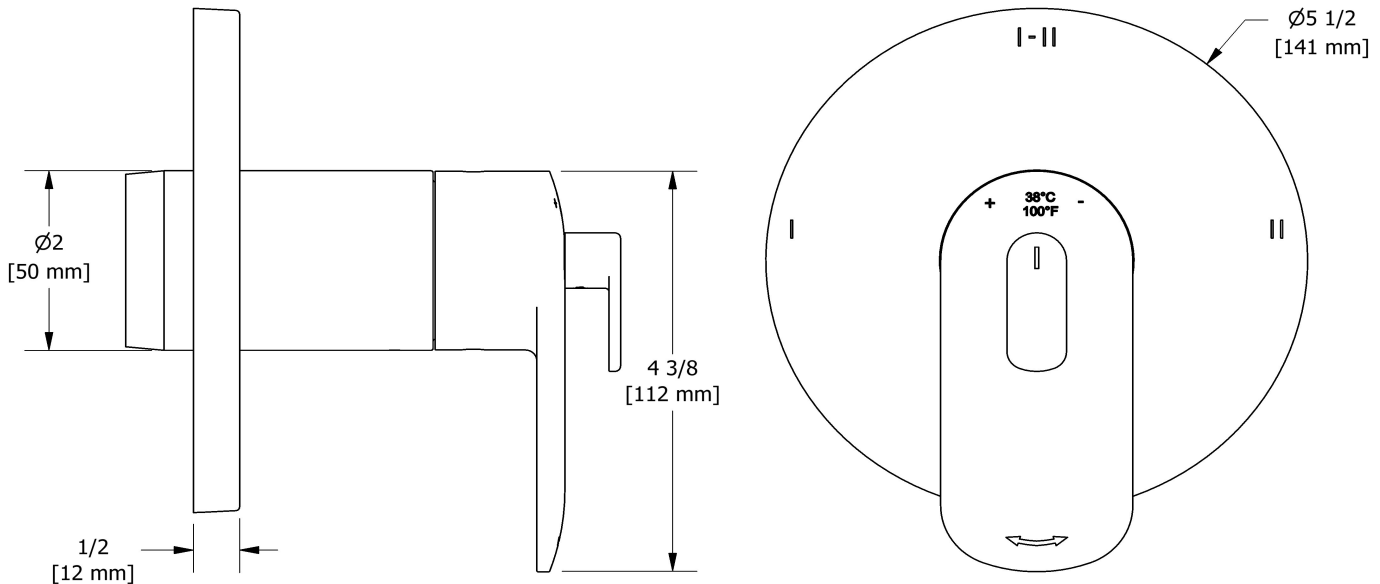
- 4 positions (OFF, 1, 1 and 2, 2) share
- Thermostatic/pressure balance coaxial cartridge with check valves
- R93, R93-SPEX or R93-EX rough required to complete
- Trim only

Available flows

- 24 L/min, 6.3 gpm (US) 60psi
- Type TP - For use with shower heads rated at 7L/min (1.8 gpm) or higher

Certifications

- CSA B125.1
- ASME A112.18.1
- ASSE 1016
- CMR248 Approval
- ADA



Sizes, models and finishes may differ from those presented.

Warranty

This **Riobel PRO**, product you have purchased carries a Limited LIFETIME warranty on their cartridge. All working parts and finishes are guaranteed for a period of five (5) years from the initial purchase date against all manufacturing defects. All electric and/or electronic parts are covered by a 5-years limited warranty. The warranty offered on our products will be honored only if the installation is performed by a certified master plumber.

Customer Service

Ontario, West Canada : 888-287-5354 Quebec, Maritimes, United States : 866-473-8442

2021.05.29