



4-piece deck-mount tub filler with hand shower
SA12



Specifications

Descriptions

- Ceramic cartridge
- 1-jet hand shower/scale-free
- Drilling holes diameter = spout and hand shower 1 1/4 (32mm), handles 2x 1 3/8 (35mm)
- G 1/2" inlet male

Available colors

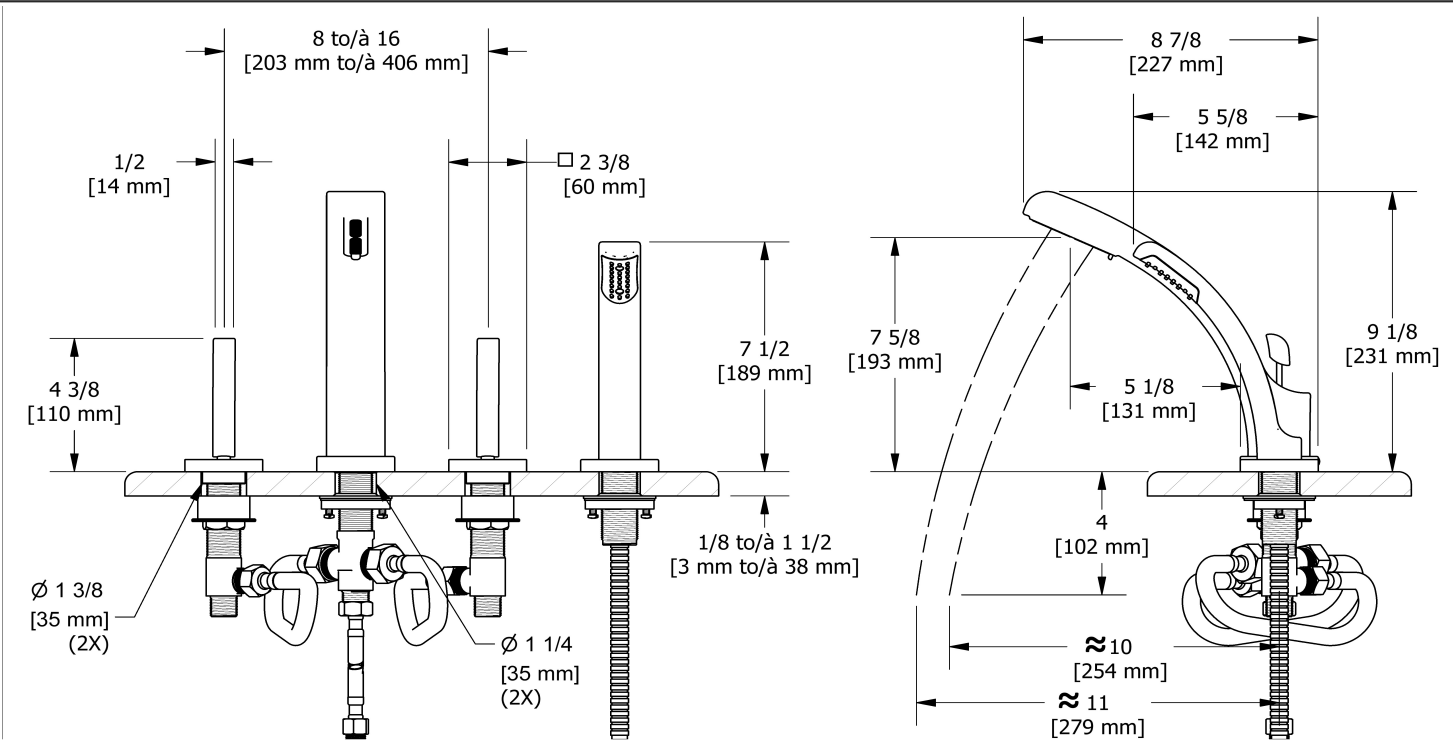
- C : Chrome
- PN : Polished Nickel (PVD)

Available flows

- 38 L/min, 10 gpm (US) 60psi
- 38 L/min, 10 gpm (US) 60psi

Certifications

- CSA B125.1
- ASME A112.18.1
- CMR248 Approval
- ADA



Sizes, models and finishes may differ from those presented.

Warranty

This **Riobel Inc.** product you have purchased carries a **Limited Lifetime Warranty** on the chrome, PVD finish, blacks and all working parts and is guaranteed from the initial purchase date against all **manufacturing defects**. All other finishes, including plastic components, are guaranteed for one year. All electric and/or electronic parts are covered by a 5-year limited warranty.

Customer Service

Ontario, West Canada : 888-287-5354 Quebec, Maritimes, United States : 866-473-8442