



Hand Shower rail
P3030



Specifications

Descriptions

- 3-jet hand shower
- 150 cm (59") double interlock flexible hose, swivel and 2 check valves
- Ø22 mm (7/8") slide bar
- Scale-free
- Easy-Glide left cursor

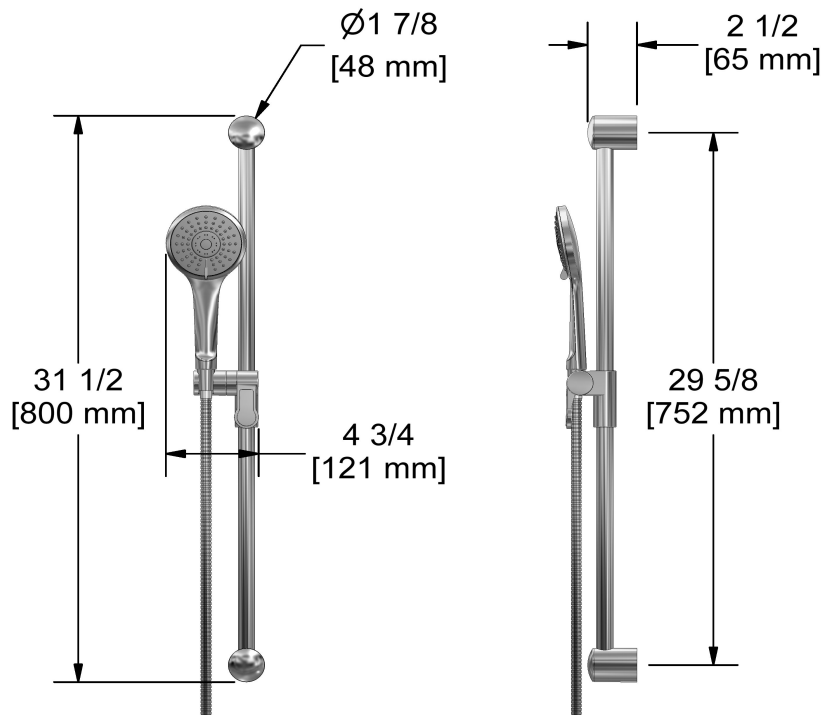
Available flows

- 7.6 L/min, 2.0 gpm (US) 60psi
- 5.7 L/min, 1.5 gpm (US) 60psi (**P3030BK**) *
- 5.69 L/min, 1.5 gpm (US) 60psi (**P3030-15**)

EPA certification applicable to the indicated model only

Certifications

- CSA B125.1
- ASME A112.18.1
- CMR248 Approval



Sizes, models and finishes may differ from those presented.

Warranty

This **Riobel PRO**, product you have purchased carries a Limited LIFETIME warranty on their cartridge. All working parts and finishes are guaranteed for a period of five (5) years from the initial purchase date against all manufacturing defects. All electric and/or electronic parts are covered by a 5-years limited warranty. The warranty offered on our products will be honored only if the installation is performed by a certified master plumber.

Customer Service

Ontario, West Canada : 888-287-5354 Quebec, Maritimes, United States : 866-473-8442