



¾" electronic system with hand shower rail, 4 body jets and shower head

**KIT#91IS**



UPC®

## Specifications

### Composition

- 9570 - Type T/P complete electronic valve
- 4844C - Hand shower rail
- 492C - 30 cm (12") shower head
- 543C - 40 cm (16") square shower arm
- 340C - Tile body jet
- 724C - Elbow supply

### Certifications

- CSA B125.1
- ASME A112.18.1
- CMR248 Approval

## Warranty

This **Riobel Inc.** product you have purchased carries a Limited Lifetime Warranty on the chrome, PVD finish, blacks and all working parts and is guaranteed from the initial purchase date against all manufacturing defects. All other finishes, including plastic components, are guaranteed for one year. All electric and/or electronic parts are covered by a 5-year limited warranty.

## Customer Service

Ontario, West Canada : 888-287-5354 Quebec, Maritimes, United States : 866-473-8442



Type T/P complete electronic valve  
**9570**



# Specifications

## Descriptions

- 3/4" inlet female NPT
- Thermostatic/pressure balance cartridge
- 110 volts supply and 12 volts functionality
- Auto-recharge battery
- Four 1/2" outlets female NPT

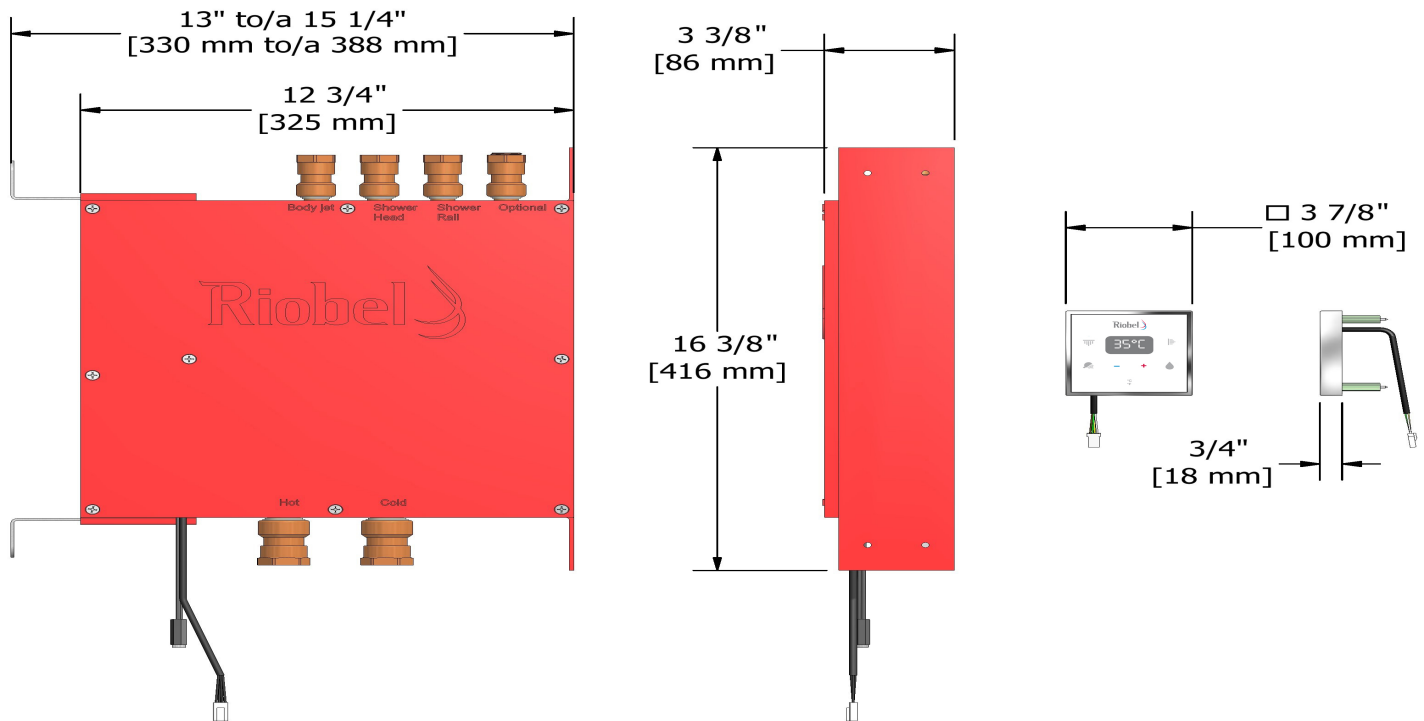
## Available flows

- 36 à/to 38 L/min, 9.5 à/to 10 gpm (US) 60psi
- 36 à/to 38 L/min, 9.5 à/to 10 gpm (US) 60psi

## Certifications

- CSA B125.1
- ASME A112.18.1
- ASSE 1016
- CMR248 Approval

UPC®



Sizes, models and finishes may differ from thoses presented.

## Warranty

This **Riobel Inc.** product you have purchased carries a Limited Lifetime Warranty on the chrome, PVD finish, blacks and all working parts and is guaranteed from the initial purchase date against all manufacturing defects. All other finishes, including plastic components, are guaranteed for one year. All electric and/or electronic parts are covered by a 5-year limited warranty.

## Customer Service

Ontario, West Canada : 888-287-5354 Quebec, Maritimes, United States : 866-473-8442



Hand shower rail  
**4844**



## Specifications

### Descriptions

- Rectangular slide bar
- 150 cm (59") double interlock flexible hose, swivel and 2 check valves
- 4364, 2-jet hand shower
- Scale-free
- Easy-Glide left cursor

### Available colors

- C : Chrome

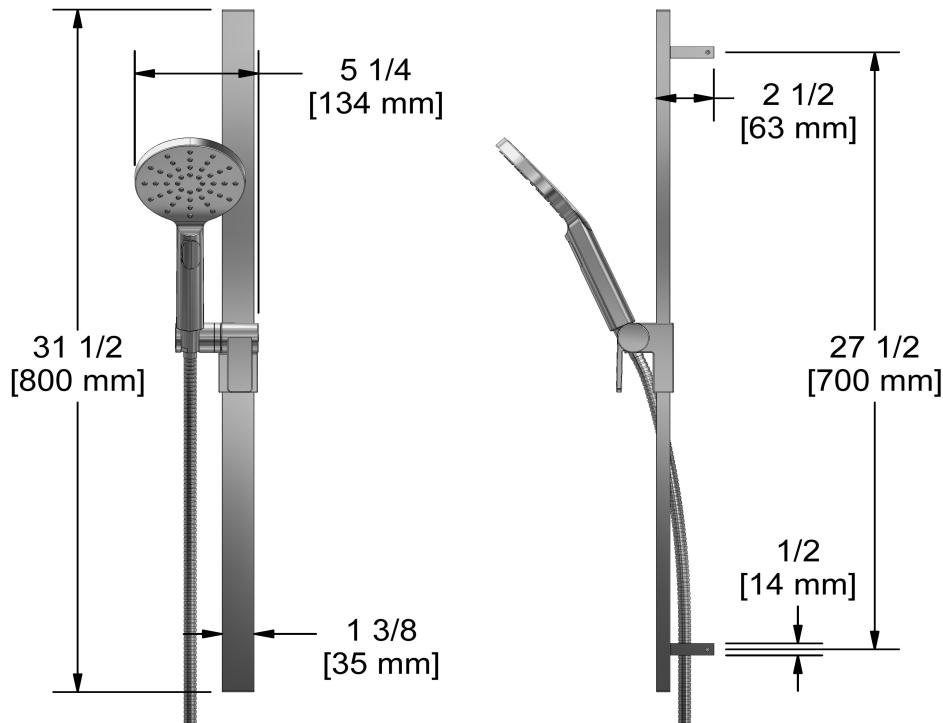
### Available flows

- 7.6 L/min, 2.0 gpm (US) 60psi
- 5.69 L/min, 1.5 gpm (US) 60psi ( **4844-15** )
- 6.6L/min, 1.75 gpm (US) 60psi ( **4844-WS** ) \*

*\*EPA certification applicable to the indicated model only\**

### Certifications

- CSA B125.1
- ASME A112.18.1
- CMR248 Approval



Sizes, models and finishes may differ from those presented.

### Warranty

This **Riobel Inc.** product you have purchased carries a Limited Lifetime Warranty on the chrome, PVD finish, blacks and all working parts and is guaranteed from the initial purchase date against all manufacturing defects. All other finishes, including plastic components, are guaranteed for one year. All electric and/or electronic parts are covered by a 5-year limited warranty.

### Customer Service

Ontario, West Canada : 888-287-5354 Quebec, Maritimes, United States : 866-473-8442



30 cm (12") shower head  
492



## Specifications

### Descriptions

- Swivel
- G $\frac{1}{2}$ " inlet female
- Scale-free

### Available colors

- C : Chrome
- BN : Brushed Nickel (PVD)

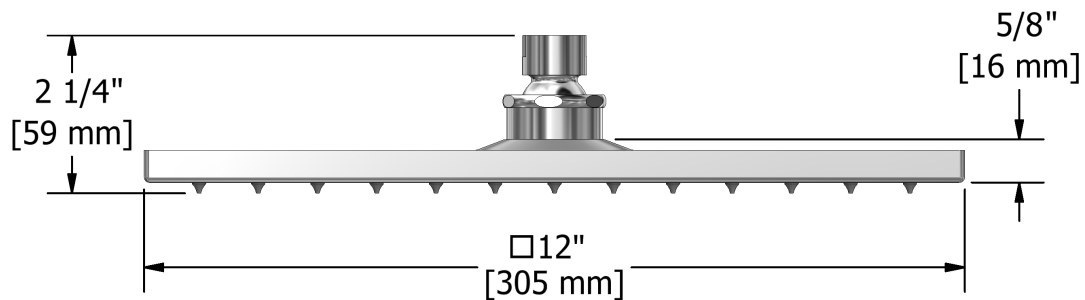
### Available flow

- 7.6 L/min, 2.0 gpm (US) 60psi

### Certifications

- CSA B125.1
- ASME A112.18.1
- CMR248 Approval

cUPC®



Sizes, models and finishes may differ from those presented.

### Warranty

This **Riobel Inc.** product you have purchased carries a Limited Lifetime Warranty on the chrome, PVD finish, blacks and all working parts and is guaranteed from the initial purchase date against all manufacturing defects. All other finishes, including plastic components, are guaranteed for one year. All electric and/or electronic parts are covered by a 5-year limited warranty.

### Customer Service

Ontario, West Canada : 888-287-5354 Quebec, Maritimes, United States : 866-473-8442

2021.05.20



40 cm (16") square shower arm  
**543**

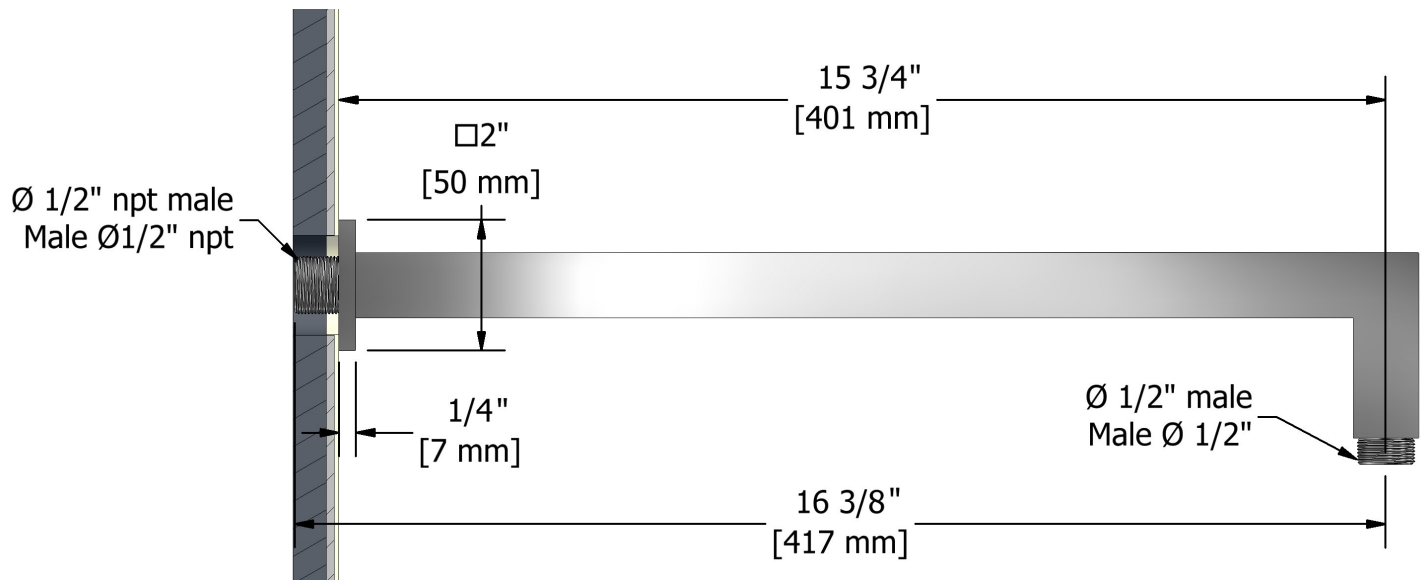
## Specifications

### Descriptions

- 1/2" inlet male NPT
- Square flange

### Available colors

- C : Chrome
- BN : Brushed Nickel (PVD)



Sizes, models and finishes may differ from those presented.

### Warranty

This **Riobel Inc.** product you have purchased carries a Limited Lifetime Warranty on the chrome, PVD finish, blacks and all working parts and is guaranteed from the initial purchase date against all manufacturing defects. All other finishes, including plastic components, are guaranteed for one year. All electric and/or electronic parts are covered by a 5-year limited warranty.

### Customer Service

Ontario, West Canada : 888-287-5354 Quebec, Maritimes, United States : 866-473-8442

2021.05.20



Tile body jet  
340



# Specifications

## Descriptions

- 1/2" inlet male NPT
- Directional
- Scale-free
- Special rough included
- Must be ordered at the same time as the valve rough

## Available colors

- C : Chrome

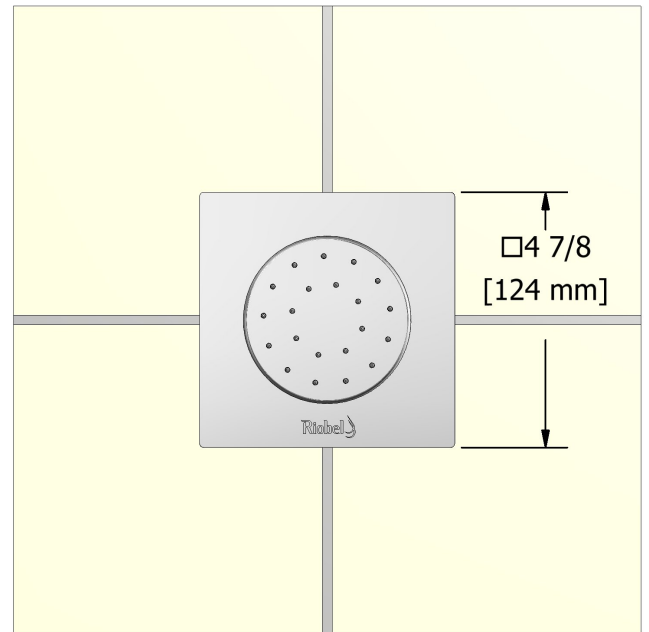
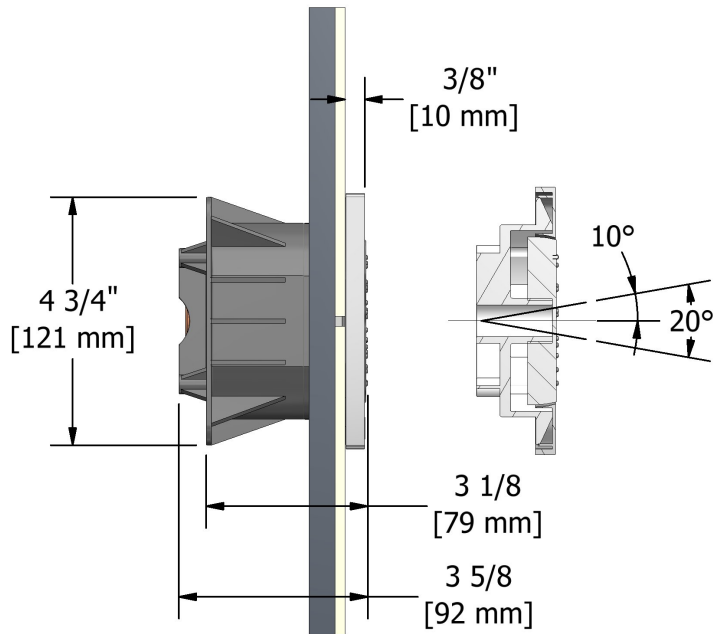
## Available flow

- 4.5 L/min, 1.2 gpm (US) 60psi

## Certifications

- CSA B125.1
- ASME A112.18.1
- CMR248 Approval

UPC®



Sizes, models and finishes may differ from those presented.

## Warranty

This **Riobel Inc.** product you have purchased carries a Limited Lifetime Warranty on the chrome, PVD finish, blacks and all working parts and is guaranteed from the initial purchase date against all manufacturing defects. All other finishes, including plastic components, are guaranteed for one year. All electric and/or electronic parts are covered by a 5-year limited warranty.

## Customer Service

Ontario, West Canada : 888-287-5354 Quebec, Maritimes, United States : 866-473-8442

2021.05.20

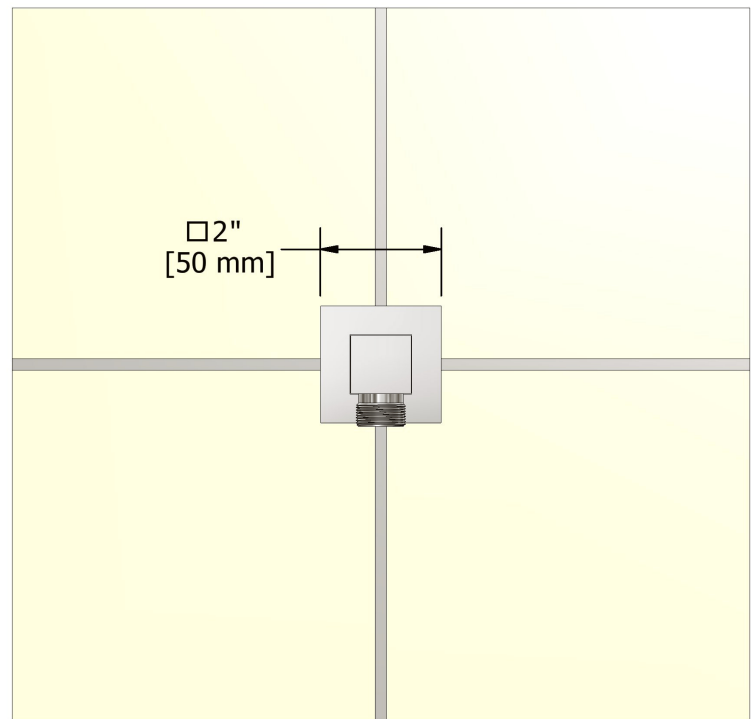
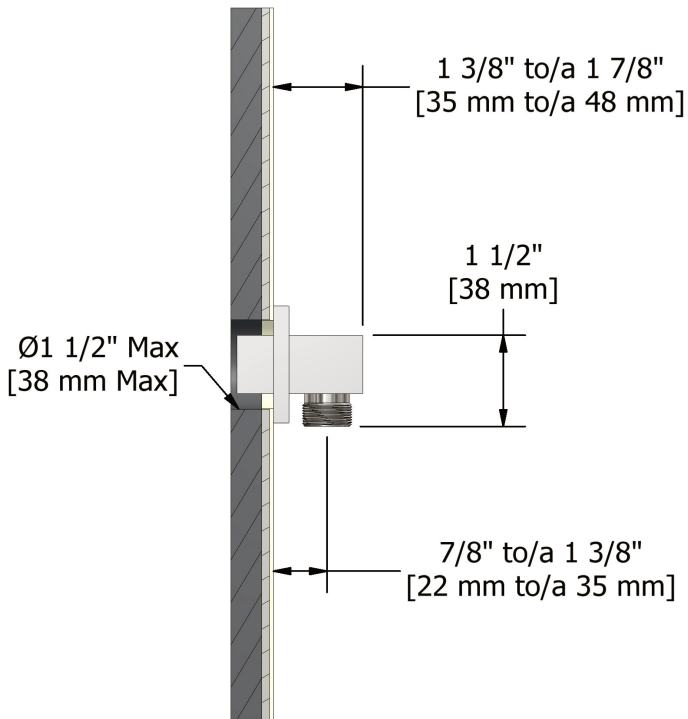


Elbow supply  
724

# Specifications

## Descriptions

- 1/2" inlet female NPT
- 1/2" outlet male
- Adjustable depth



Sizes, models and finishes may differ from thoses presented.

## Warranty

This **Riobel Inc.** product you have purchased carries a Limited Lifetime Warranty on the chrome, PVD finish, blacks and all working parts and is guaranteed from the initial purchase date against all manufacturing defects. All other finishes, including plastic components, are guaranteed for one year. All electric and/or electronic parts are covered by a 5-year limited warranty.

## Customer Service

Ontario, West Canada : 888-287-5354 Quebec, Maritimes, United States : 866-473-8442