



Type T/P ½" coaxial 2-way system with hand shower and shower head

**KIT#323VY**



UPC®

## Specifications

### Composition

- TVY23C - 2-way Type T/P coaxial valve trim
- R23 - 2-way Type T/P coaxial valve rough
- 8080C - Hand shower rail
- 594C - 40 cm (16") shower arm
- 495C - 20 cm X 30 cm (8" x 12") rectangular shower head
- 794C - Elbow supply

### Available colors

- C : Chrome

### Certifications

- CSA B125.1
- ASME A112.18.1
- ASSE 1016
- CMR248 Approval

## Warranty

This **Riobel Inc.** product you have purchased carries a Limited Lifetime Warranty on the chrome, PVD finish, blacks and all working parts and is guaranteed from the initial purchase date against all manufacturing defects. All other finishes, including plastic components, are guaranteed for one year. All electric and/or electronic parts are covered by a 5-year limited warranty.

## Customer Service

Ontario, West Canada : 888-287-5354 Quebec, Maritimes, United States : 866-473-8442

2021.05.21



2-way Type T/P coaxial valve trim  
**TVY23**



## Specifications

### Descriptions

- Thermostatic/pressure balance coaxial cartridge with check valves
- Trim only
- R23, R23-SPEX or R23-EX rough required to complete
- 4 positions (OFF, 1, 1 and 2, 2) share

### Available colors

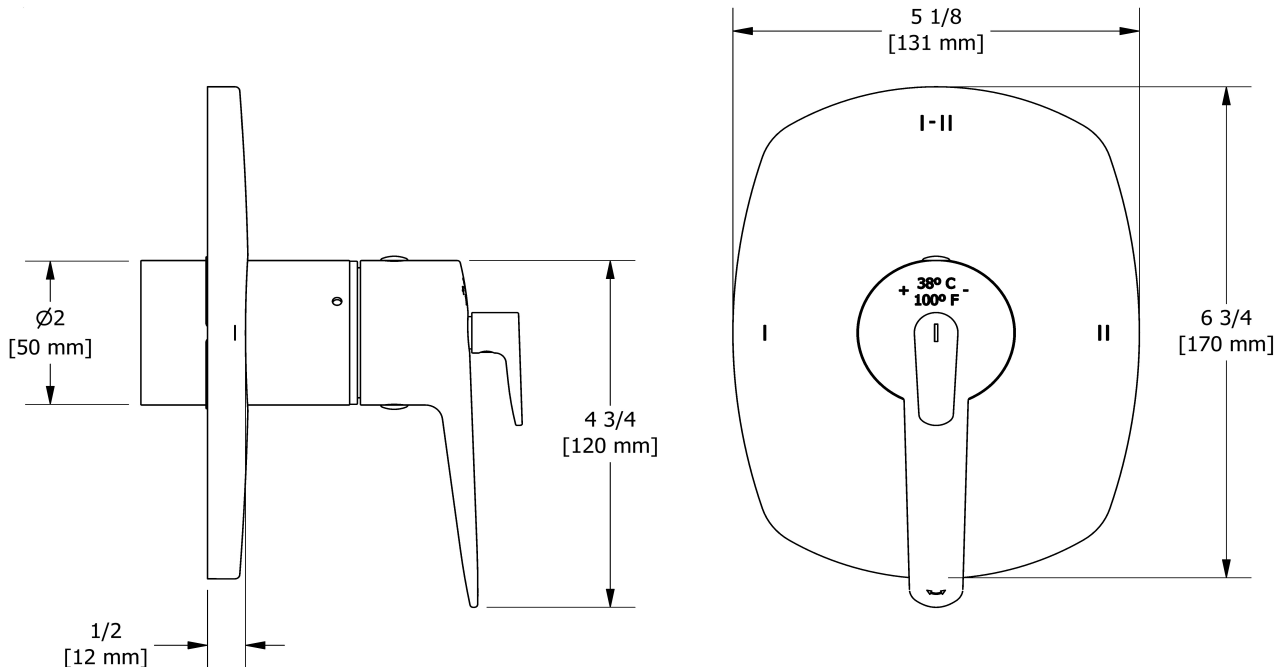
- C : Chrome

### Available flow

- 24 L/min, 6.3 gpm (US) 60psi

### Certifications

- CSA B125.1
- ASME A112.18.1
- ASSE 1016
- CMR248 Approval
- ADA



Sizes, models and finishes may differ from those presented.

### Warranty

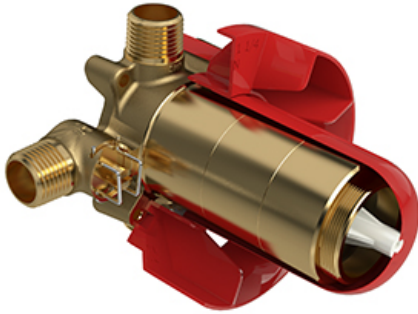
This **Riobel Inc.** product you have purchased carries a Limited Lifetime Warranty on the chrome, PVD finish, blacks and all working parts and is guaranteed from the initial purchase date against all manufacturing defects. All other finishes, including plastic components, are guaranteed for one year. All electric and/or electronic parts are covered by a 5-year limited warranty.

### Customer Service

Ontario, West Canada : 888-287-5354 Quebec, Maritimes, United States : 866-473-8442



2-way Type T/P coaxial valve rough  
**R23**



# Specifications

## Descriptions

- Test cap
- Service valves
- ½" inlet male NPT or sweat
- Two ½" outlets male NPT or sweat
- TXX23XX or TXX44XX trim required to complete
- Rough only

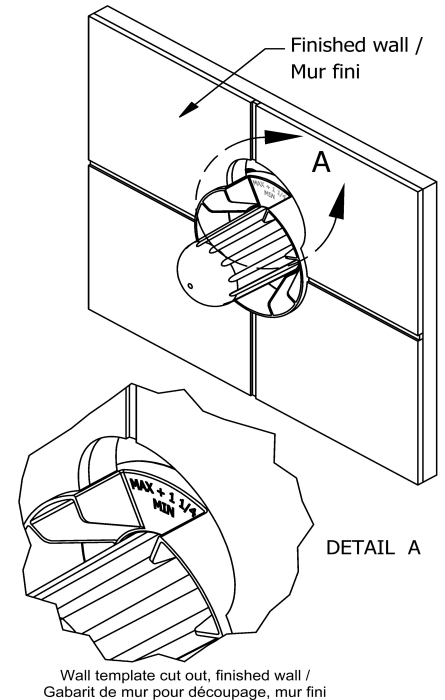
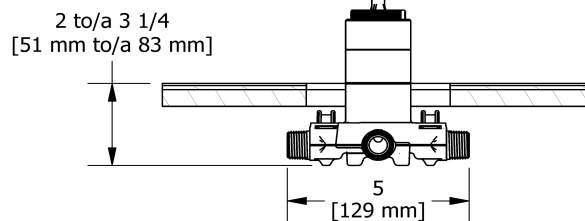
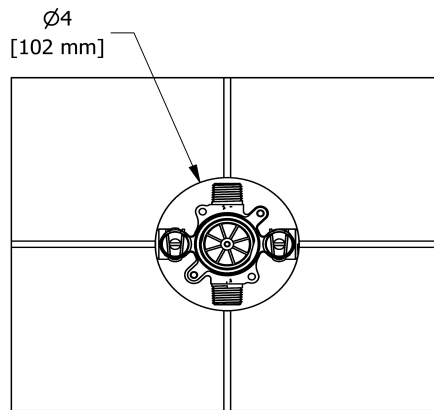
## Available colors

- :

## Certifications

- CSA B125.1
- ASME A112.18.1
- ASSE 1016
- CMR248 Approval

UPC®



Sizes, models and finishes may differ from thoses presented.

## Warranty

This **Riobel Inc.** product you have purchased carries a Limited Lifetime Warranty on the chrome, PVD finish, blacks and all working parts and is guaranteed from the initial purchase date against all manufacturing defects. All other finishes, including plastic components, are guaranteed for one year. All electric and/or electronic parts are covered by a 5-year limited warranty.

## Customer Service

Ontario, West Canada : 888-287-5354 Quebec, Maritimes, United States : 866-473-8442



Hand shower rail  
**8080**



## Specifications

### Descriptions

- Scale-free
- 150 cm (59") double interlock flexible hose, swivel and 2 check valves
- Ø19 mm (¾") slide bar
- 4308, 2-jet hand shower
- Easy-Glide left cursor

### Available colors

- C : Chrome

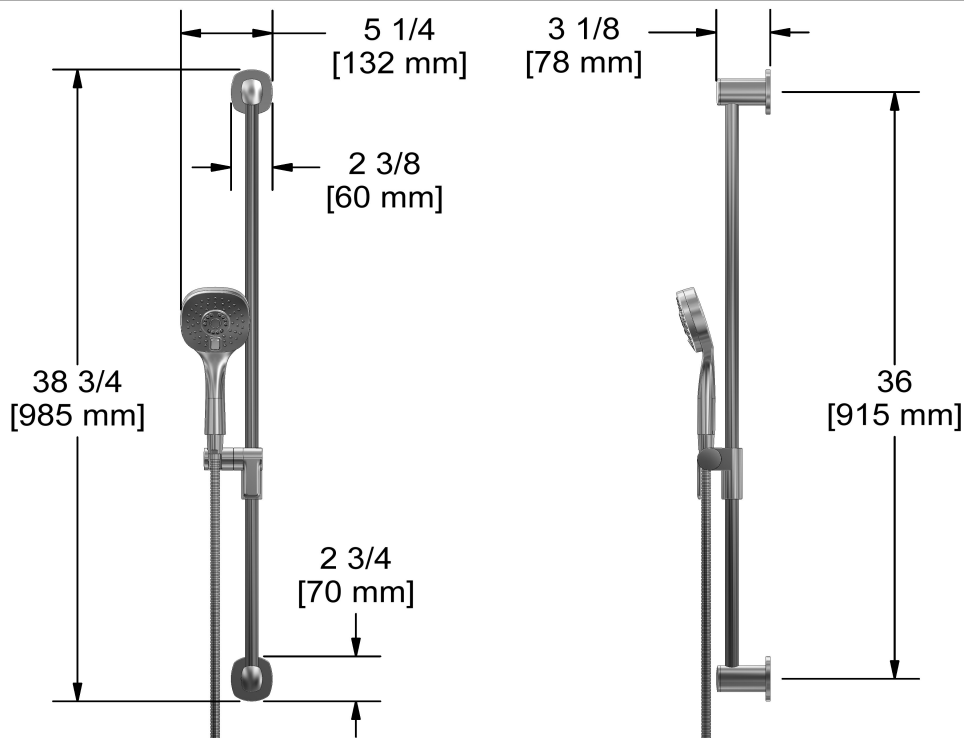
### Available flows

- 6.7 L/min, 1.8 gpm (US) 60psi
- 5.69 L/min, 1.5 gpm (US) 60psi ( **8080-15** )

### Certifications

- CSA B125.1
- ASME A112.18.1
- CMR248 Approval

cUPC®



Sizes, models and finishes may differ from those presented.

### Warranty

This **Riobel Inc.** product you have purchased carries a Limited Lifetime Warranty on the chrome, PVD finish, blacks and all working parts and is guaranteed from the initial purchase date against all manufacturing defects. All other finishes, including plastic components, are guaranteed for one year. All electric and/or electronic parts are covered by a 5-year limited warranty.

### Customer Service

Ontario, West Canada : 888-287-5354 Quebec, Maritimes, United States : 866-473-8442



40 cm (16") shower arm  
**594**

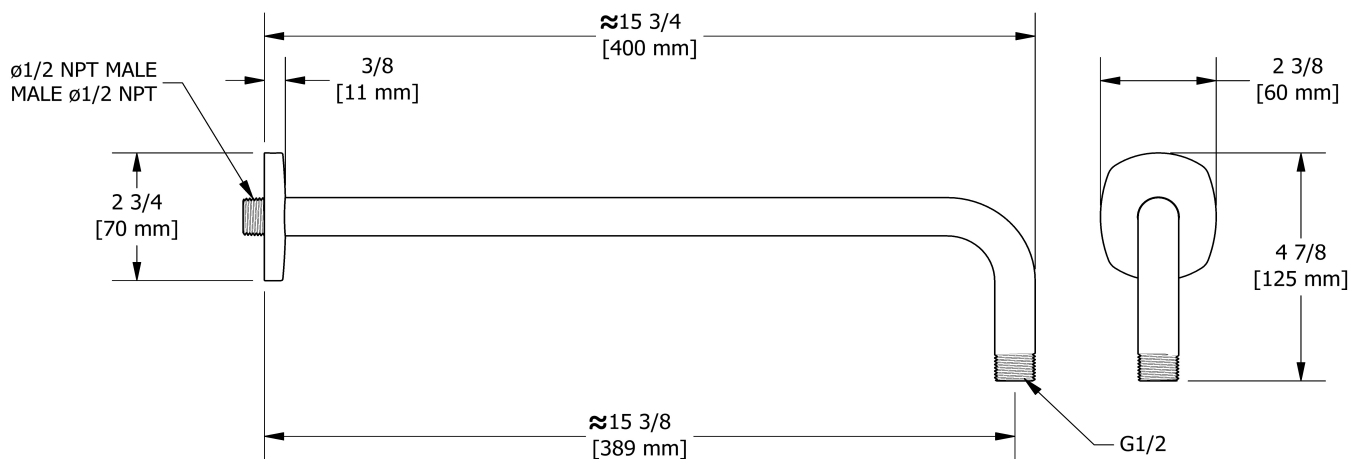
# Specifications

## Descriptions

- 1/2" inlet male NPT
- Shower arm with Venty flange with set screw

## Available colors

- C : Chrome



Sizes, models and finishes may differ from those presented.

## Warranty

This **Riobel Inc.** product you have purchased carries a Limited Lifetime Warranty on the chrome, PVD finish, blacks and all working parts and is guaranteed from the initial purchase date against all manufacturing defects. All other finishes, including plastic components, are guaranteed for one year. All electric and/or electronic parts are covered by a 5-year limited warranty.

## Customer Service

Ontario, West Canada : 888-287-5354 Quebec, Maritimes, United States : 866-473-8442



20 cm X 30 cm (8" x 12") rectangular shower head  
**495**



## Specifications

### Descriptions

- Swivel
- Scale-free
- Stainless steel
- G $\frac{1}{2}$ " inlet female

### Available colors

- C : Chrome

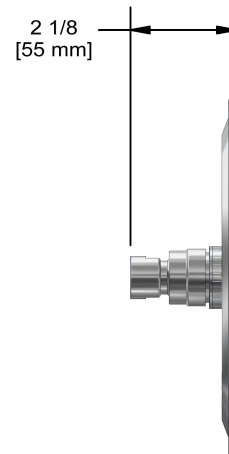
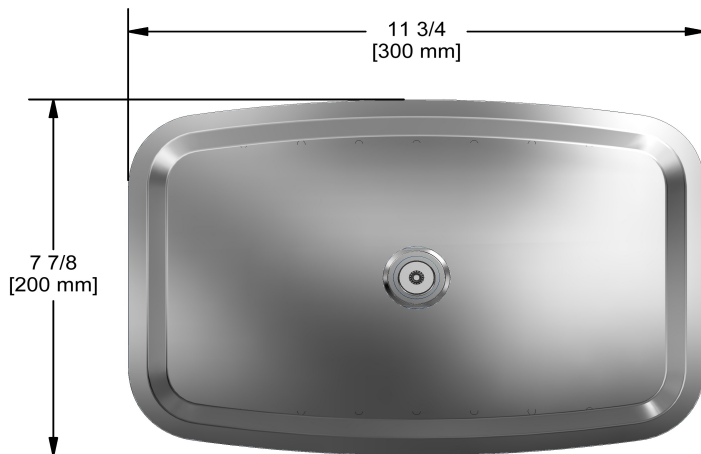
### Available flows

- 7.6 L/min, 2.0 gpm (US) 60psi
- 5.69 L/min, 1.5 gpm (US) 60psi ( **495-15** )
- 6.6 L/min (1.75 gpm) max / 4.9 L/min (1.31 gpm) (45 psi) ( **495-WS** ) \*

*\*EPA certification applicable to the indicated model only\**

### Certifications

- CSA B125.1
- ASME A112.18.1
- CMR248 Approval



**Sizes, models and finishes may differ from those presented.**

### Warranty

This **Riobel Inc.** product you have purchased carries a Limited Lifetime Warranty on the chrome, PVD finish, blacks and all working parts and is guaranteed from the initial purchase date against all manufacturing defects. All other finishes, including plastic components, are guaranteed for one year. All electric and/or electronic parts are covered by a 5-year limited warranty.

### Customer Service

Ontario, West Canada : 888-287-5354 Quebec, Maritimes, United States : 866-473-8442



Elbow supply  
794

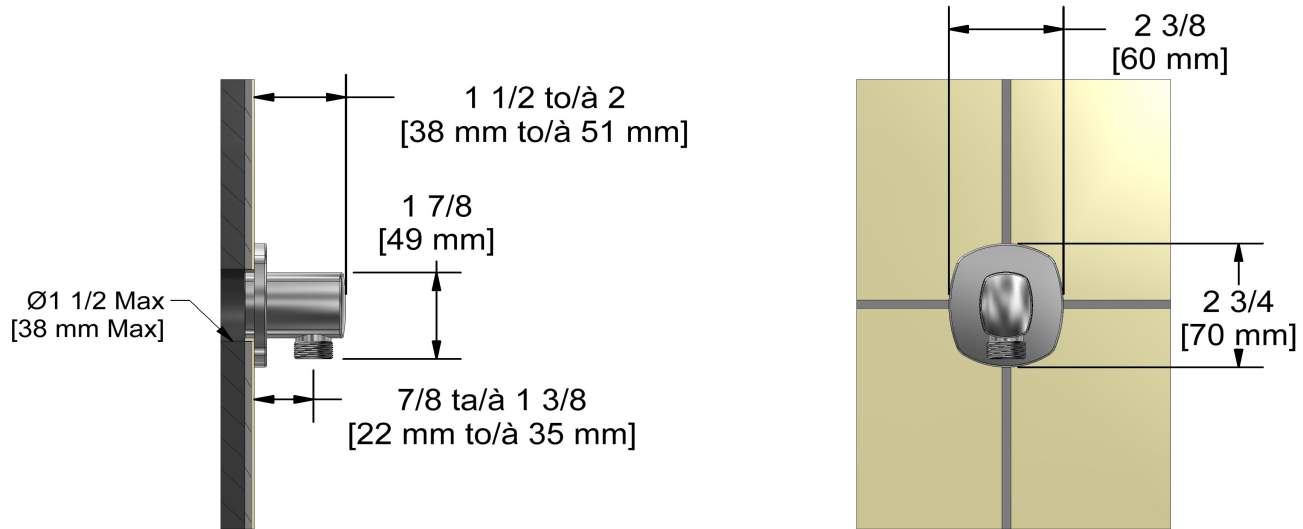
## Specifications

### Descriptions

- 1/2" inlet female NPT
- 1/2" outlet male
- Adjustable depth

### Available colors

- C : Chrome



Sizes, models and finishes may differ from thoses presented.

### Warranty

This **Riobel Inc.** product you have purchased carries a Limited Lifetime Warranty on the chrome, PVD finish, blacks and all working parts and is guaranteed from the initial purchase date against all manufacturing defects. All other finishes, including plastic components, are guaranteed for one year. All electric and/or electronic parts are covered by a 5-year limited warranty.

### Customer Service

Ontario, West Canada : 888-287-5354 Quebec, Maritimes, United States : 866-473-8442

2021.05.21