



EV595 Assembly
ASSY595EV



Specifications

Composition

- R95 - 3-way Type T/P coaxial valve rough without cartridge
- P3030C - Hand Shower rail
- P428C - 23 cm (9") shower head
- P503C - 40 cm (16") shower arm
- P870C - Tub spout
- P775C - Elbow supply
- TEV95C - 3-way Type T/P coaxial valve trim

Warranty

This **Riobel PRO**, product you have purchased carries a Limited LIFETIME warranty on their cartridge. All working parts and finishes are guaranteed for a period of five (5) years from the initial purchase date against all manufacturing defects. All electric and/or electronic parts are covered by a 5-years limited warranty. The warranty offered on our products will be honored only if the installation is performed by a certified master plumber.

Customer Service

Ontario, West Canada : 888-287-5354 Quebec, Maritimes, United States : 866-473-8442



3-way Type T/P coaxial valve rough without cartridge
R95



Specifications

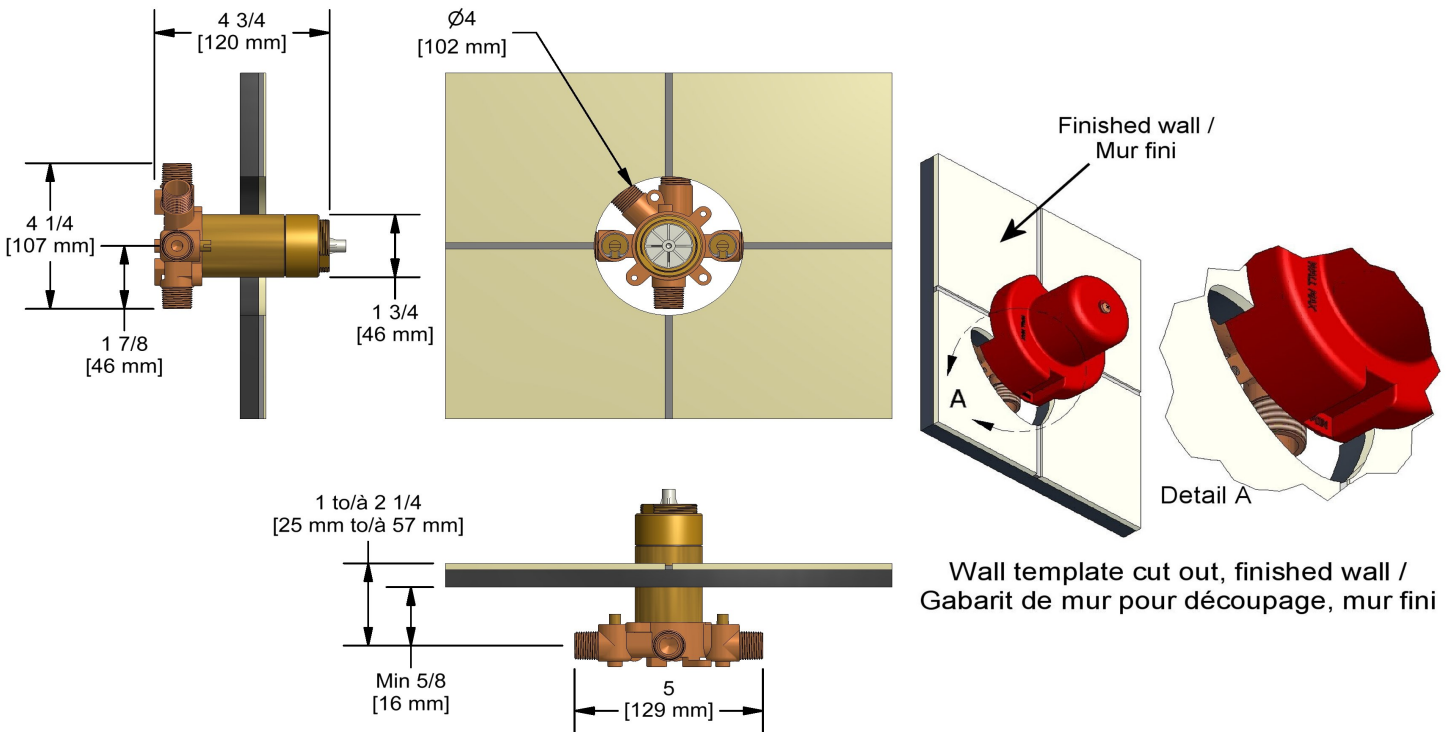
Descriptions

- 1/2" inlet male NPT or sweat
- Rough only
- Service valves
- Three 1/2" outlets male NPT or sweat
- TXX95XX or TXX97XX trim required to complete
- Test cap

Certifications

- CSA B125.1
- ASME A112.18.1
- ASSE 1016
- CMR248 Approval

UPC®



Sizes, models and finishes may differ from those presented.

Warranty

This **Riobel PRO**, product you have purchased carries a Limited LIFETIME warranty on their cartridge. All working parts and finishes are guaranteed for a period of five (5) years from the initial purchase date against all manufacturing defects. All electric and/or electronic parts are covered by a 5-years limited warranty. The warranty offered on our products will be honored only if the installation is performed by a certified master plumber.

Customer Service

Ontario, West Canada : 888-287-5354 Quebec, Maritimes, United States : 866-473-8442



Hand Shower rail
P3030



Specifications

Descriptions

- 3-jet hand shower
- 150 cm (59") double interlock flexible hose, swivel and 2 check valves
- Ø22 mm (7/8") slide bar
- Scale-free
- Easy-Glide left cursor

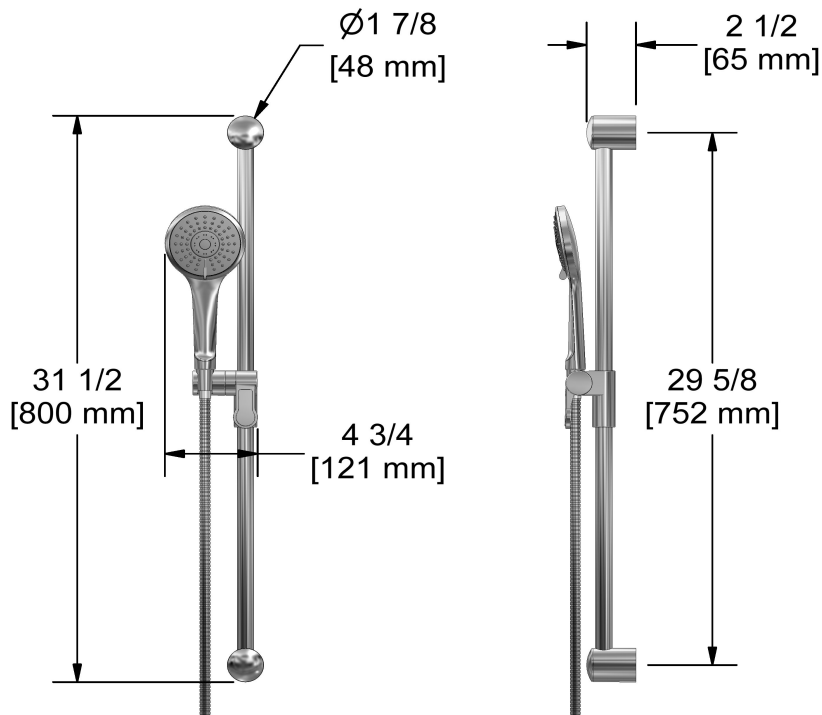
Available flows

- 7.6 L/min, 2.0 gpm (US) 60psi
- 5.7 L/min, 1.5 gpm (US) 60psi (**P3030BK**) *
- 5.69 L/min, 1.5 gpm (US) 60psi (**P3030-15**)

EPA certification applicable to the indicated model only

Certifications

- CSA B125.1
- ASME A112.18.1
- CMR248 Approval



Sizes, models and finishes may differ from those presented.

Warranty

This **Riobel PRO**, product you have purchased carries a Limited LIFETIME warranty on their cartridge. All working parts and finishes are guaranteed for a period of five (5) years from the initial purchase date against all manufacturing defects. All electric and/or electronic parts are covered by a 5-years limited warranty. The warranty offered on our products will be honored only if the installation is performed by a certified master plumber.

Customer Service

Ontario, West Canada : 888-287-5354 Quebec, Maritimes, United States : 866-473-8442



23 cm (9") shower head
P428



Specifications

Descriptions

- Scale-free
- 1/2" inlet female NPT
- Swivel

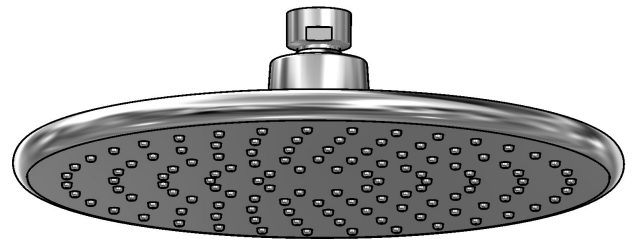
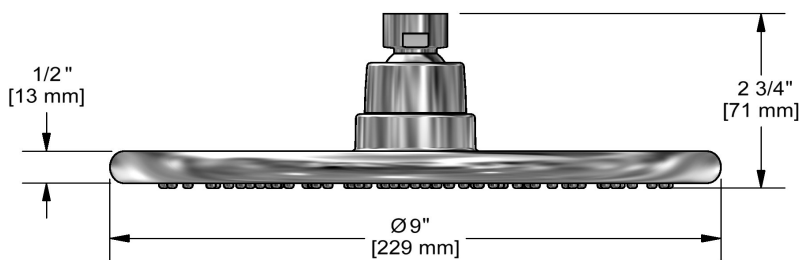
Available flows

- 7.6 L/min, 2.0 gpm (US) 60psi
- 5.69 L/min, 1.5 gpm (US) 60psi (**P428-15**)

Certifications

- CSA B125.1
- ASME A112.18.1
- CMR248 Approval

cUPC®



Sizes, models and finishes may differ from those presented.

Warranty

This **Riobel PRO**, product you have purchased carries a Limited LIFETIME warranty on their cartridge. All working parts and finishes are guaranteed for a period of five (5) years from the initial purchase date against all manufacturing defects. All electric and/or electronic parts are covered by a 5-years limited warranty. The warranty offered on our products will be honored only if the installation is performed by a certified master plumber.

Customer Service

Ontario, West Canada : 888-287-5354 Quebec, Maritimes, United States : 866-473-8442

2021.05.09



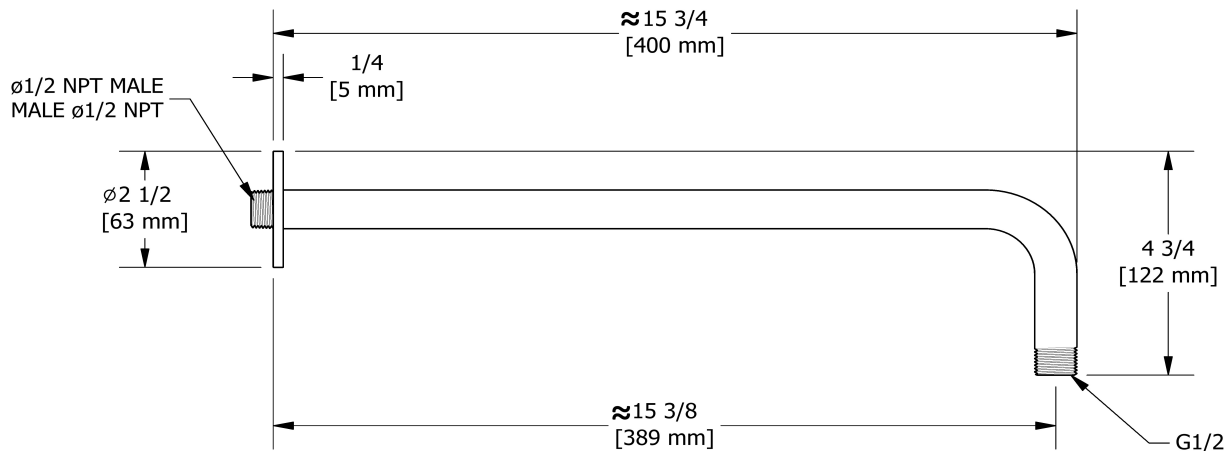
40 cm (16") shower arm

P503

Specifications

Descriptions

- 1/2" inlet male NPT
- Round flange



Sizes, models and finishes may differ from those presented.

Warranty

This **Riobel PRO**, product you have purchased carries a Limited LIFETIME warranty on their cartridge. All working parts and finishes are guaranteed for a period of five (5) years from the initial purchase date against all manufacturing defects. All electric and/or electronic parts are covered by a 5-years limited warranty. The warranty offered on our products will be honored only if the installation is performed by a certified master plumber.

Customer Service

Ontario, West Canada : 888-287-5354 Quebec, Maritimes, United States : 866-473-8442

2021.05.09



Tub spout
P870

Specifications

Descriptions

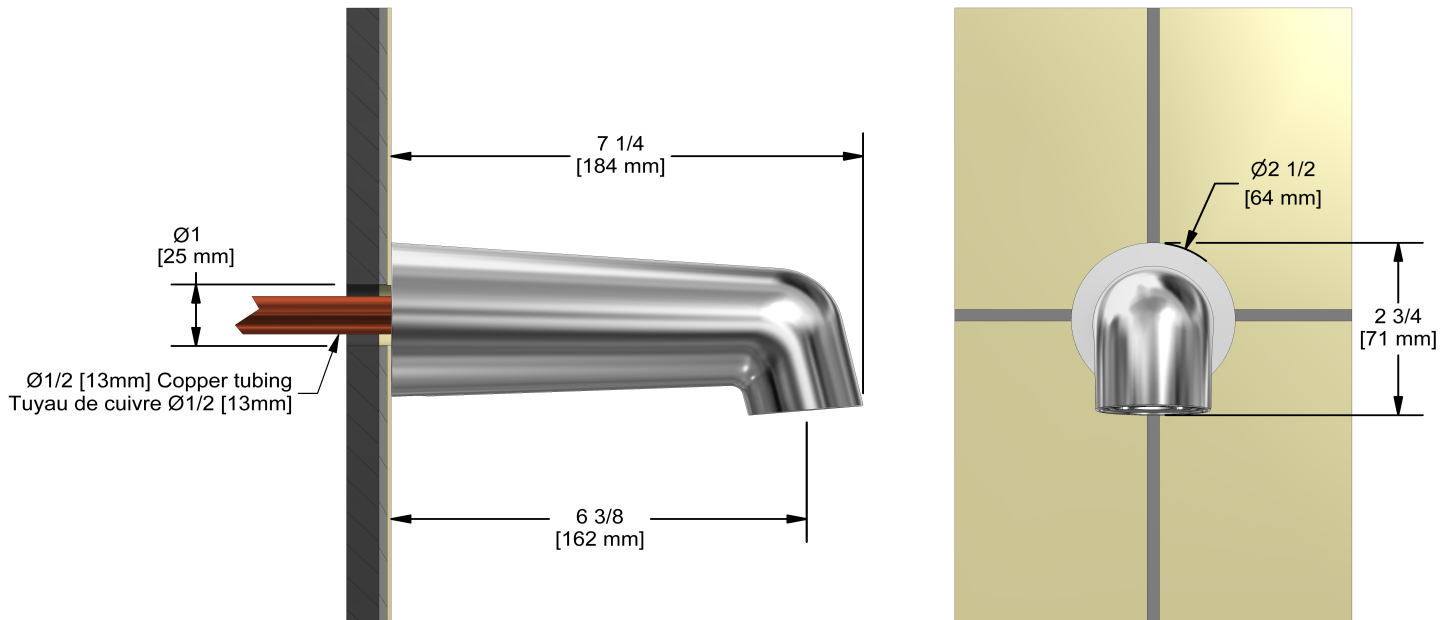
- 1/2" copper slip fit inlet
- Flow diffuser
- Drilling hole diameter = 1 (25mm)

Certifications

- CSA B125.1
- ASME A112.18.1
- CMR248 Approval



cUPC®



Sizes, models and finishes may differ from those presented.

Warranty

This **Riobel PRO**, product you have purchased carries a Limited LIFETIME warranty on their cartridge. All working parts and finishes are guaranteed for a period of five (5) years from the initial purchase date against all manufacturing defects. All electric and/or electronic parts are covered by a 5-years limited warranty. The warranty offered on our products will be honored only if the installation is performed by a certified master plumber.

Customer Service

Ontario, West Canada : 888-287-5354 Quebec, Maritimes, United States : 866-473-8442

2021.05.09

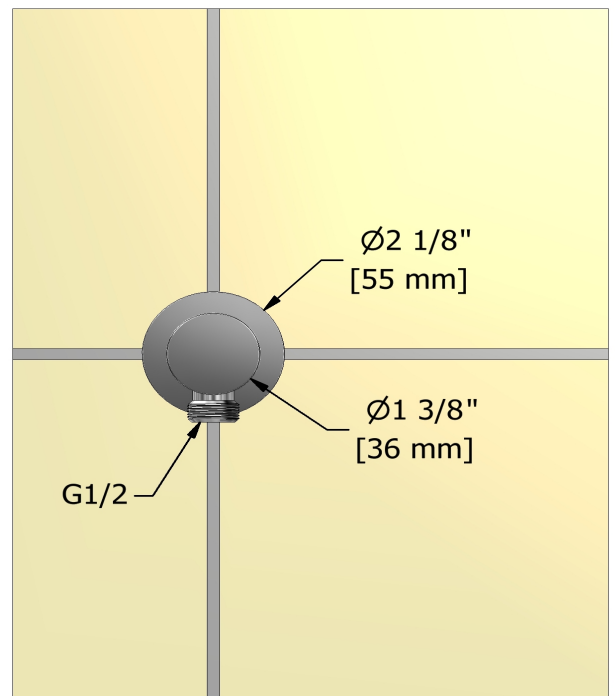
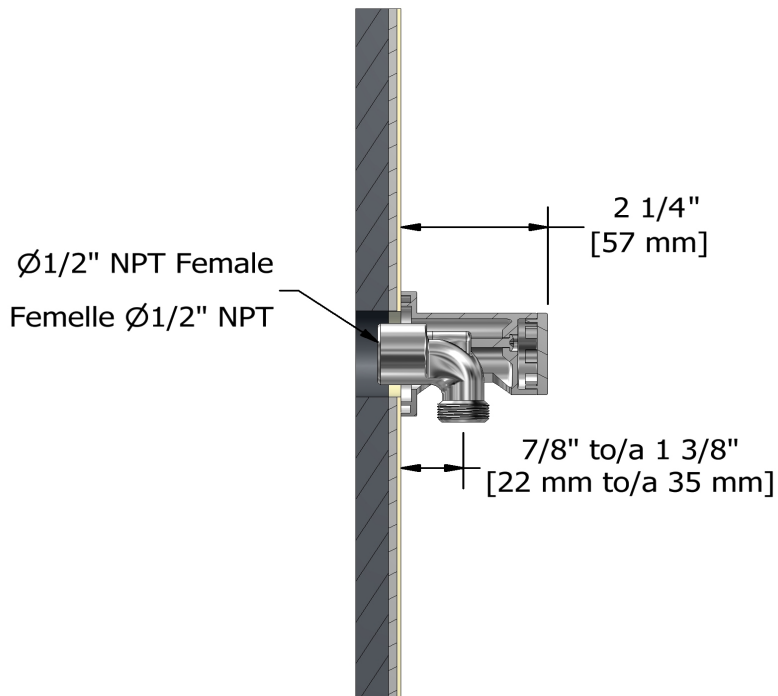


Elbow supply
P775

Specifications

Descriptions

- 1/2" outlet male
- Adjustable depth
- 1/2" inlet female NPT



Sizes, models and finishes may differ from those presented.

Warranty

This **Riobel PRO** product you have purchased carries a Limited LIFETIME warranty on their cartridge. All working parts and finishes are guaranteed for a period of five (5) years from the initial purchase date against all manufacturing defects. All electric and/or electronic parts are covered by a 5-years limited warranty. The warranty offered on our products will be honored only if the installation is performed by a certified master plumber.

Customer Service

Ontario, West Canada : 888-287-5354 Quebec, Maritimes, United States : 866-473-8442



3-way Type T/P coaxial valve trim
TEV95



Specifications

Descriptions

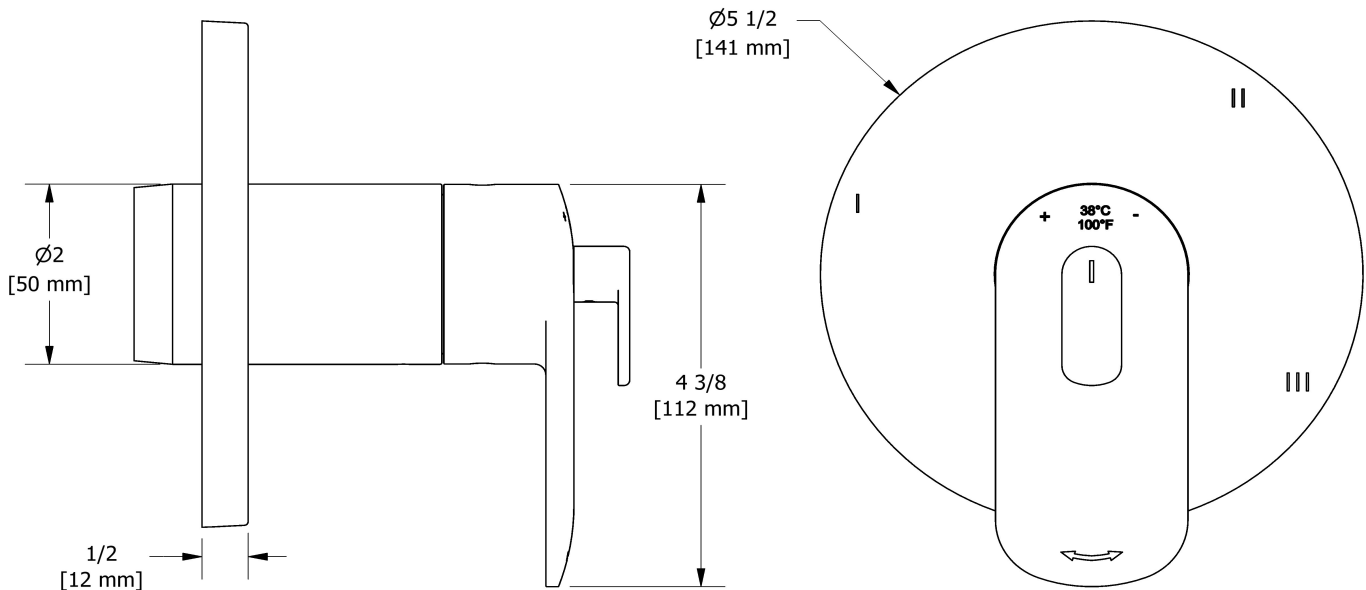
- 6 positions (OFF, 1, 1 and 2, 2, 2 and 3, 3) share
- R95, R95-SPEX or R95-EX rough required to complete
- Thermostatic/pressure balance coaxial cartridge with check valves
- Trim only

Available flows

- 24 L/min, 6.3 gpm (US) 60psi
- Type TP - For use with shower heads rated at 7L/min (1.8 gpm) or higher

Certifications

- CSA B125.1
- ASME A112.18.1
- ASSE 1016
- CMR248 Approval
- ADA



Sizes, models and finishes may differ from those presented.

Warranty

This **Riobel PRO**, product you have purchased carries a Limited LIFETIME warranty on their cartridge. All working parts and finishes are guaranteed for a period of five (5) years from the initial purchase date against all manufacturing defects. All electric and/or electronic parts are covered by a 5-years limited warranty. The warranty offered on our products will be honored only if the installation is performed by a certified master plumber.

Customer Service

Ontario, West Canada : 888-287-5354 Quebec, Maritimes, United States : 866-473-8442

2021.05.09