



2-way 3-piece Type T (thermostatic) coaxial deck-mount tub filler with hand shower

RU19+



Specifications

Descriptions

- 1-jet hand shower/scale-free
- Thermostatic coaxial cartridge with check valves
- ½" inlet male NPT

Available colors

- C : Chrome
- PN : Polished Nickel (PVD)

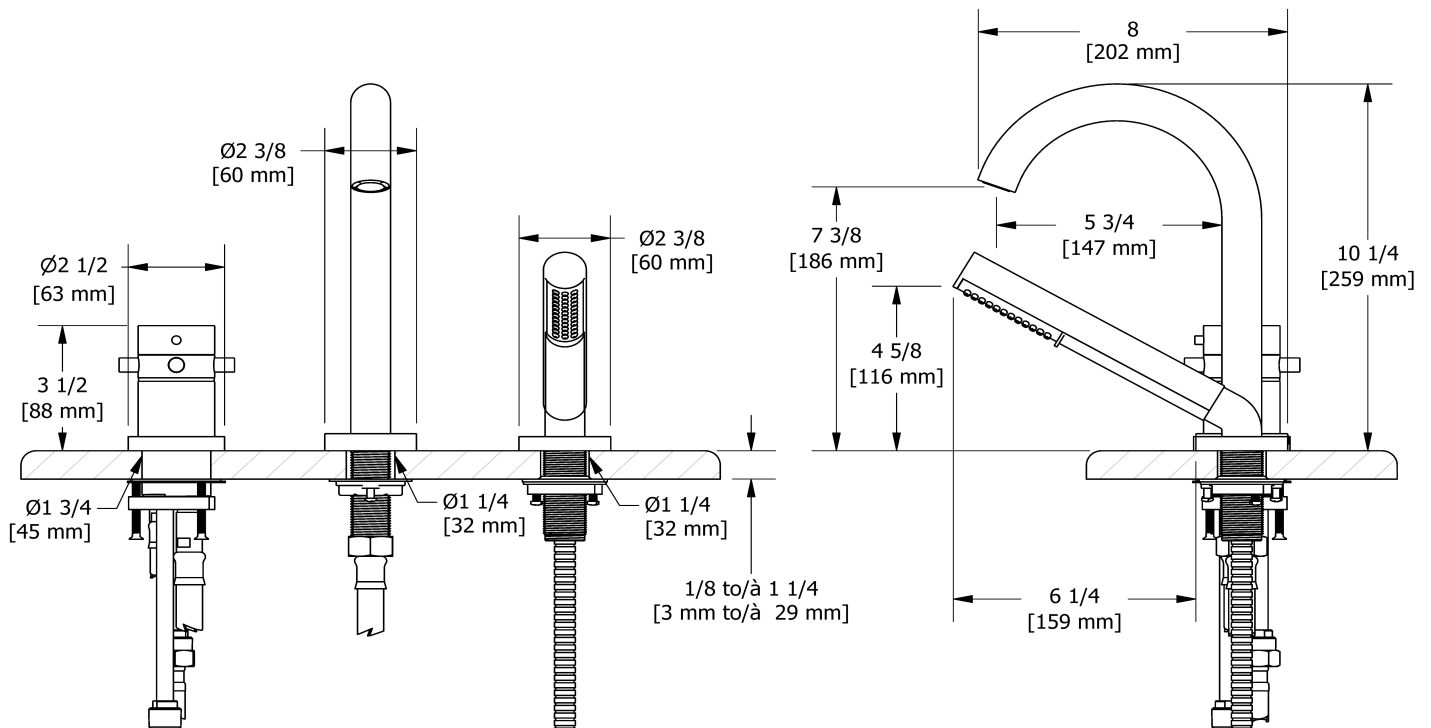
Available flow

- 27 L/min, 7.1 gpm (US) 60psi

Certifications

- CSA B125.1
- ASME A112.18.1
- ASSE 1016
- CMR248 Approval

UPC®



Sizes, models and finishes may differ from those presented.

Warranty

This Riobel Inc. product you have purchased carries a Limited Lifetime Warranty on the chrome, PVD finish, blacks and all working parts and is guaranteed from the initial purchase date against all manufacturing defects. All other finishes, including plastic components, are guaranteed for one year. All electric and/or electronic parts are covered by a 5-year limited warranty.

Customer Service

Ontario, West Canada : 888-287-5354 Quebec, Maritimes, United States : 866-473-8442

2021.05.01