



Type P (pressure balance) complete valve  
**DJ71**



## Specifications

### Composition

- R71 - Type P rough without cartridge
- TDJ71C - Type P (pressure balance) valve trim

### Available flow

- 22 L/min, 5.8 gpm (US) 60psi

### Certifications

- CSA B125.1
- ASME A112.18.1
- ASSE 1016
- ADA

## Warranty

This **Riobel PRO**, product you have purchased carries a Limited LIFETIME warranty on their cartridge. All working parts and finishes are guaranteed for a period of five (5) years from the initial purchase date against all manufacturing defects. All electric and/or electronic parts are covered by a 5-years limited warranty. The warranty offered on our products will be honored only if the installation is performed by a certified master plumber.

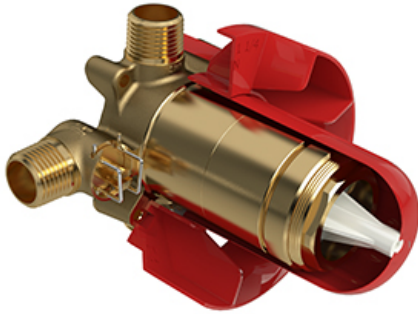
## Customer Service

Ontario, West Canada : 888-287-5354 Quebec, Maritimes, United States : 866-473-8442



Type P rough without cartridge

R71



# Specifications

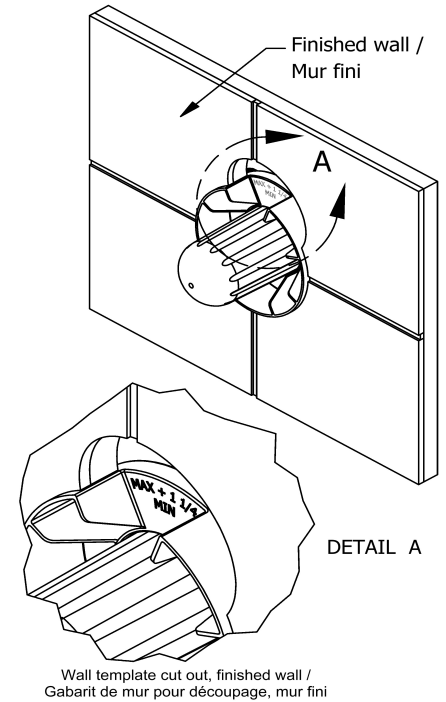
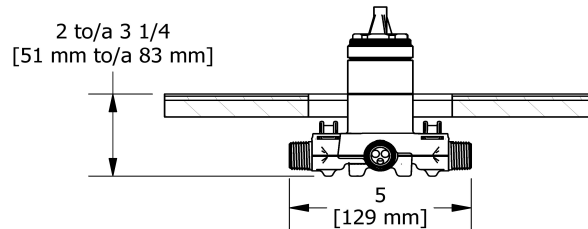
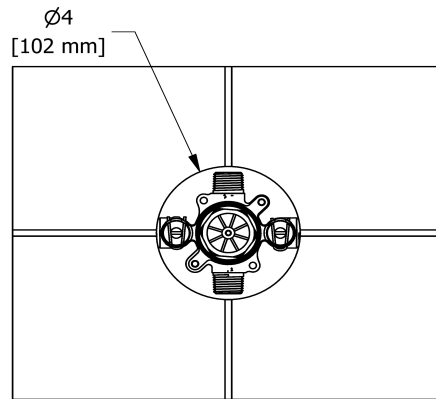
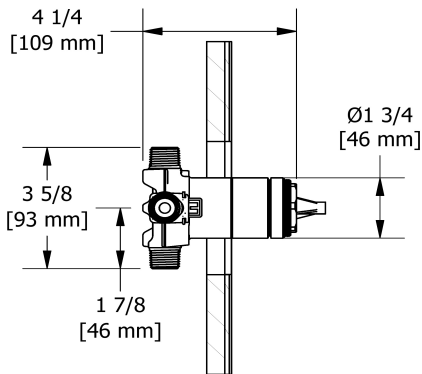
## Descriptions

- 1/2" outlet male NPT or sweat
- Service valves
- 1/2" inlet male NPT or sweat
- Test cap
- TXX71XX trim required to complete
- Rough only

## Certifications

- CSA B125.1
- ASME A112.18.1
- ASSE 1016
- CMR248 Approval

UPC®



Sizes, models and finishes may differ from thoses presented.

## Warranty

This **Riobel PRO**, product you have purchased carries a Limited LIFETIME warranty on their cartridge. All working parts and finishes are guaranteed for a period of five (5) years from the initial purchase date against all manufacturing defects. All electric and/or electronic parts are covered by a 5-years limited warranty. The warranty offered on our products will be honored only if the installation is performed by a certified master plumber.

## Customer Service

Ontario, West Canada : 888-287-5354 Quebec, Maritimes, United States : 866-473-8442



Type P (pressure balance) valve trim  
**TDJ71**



# Specifications

## Descriptions

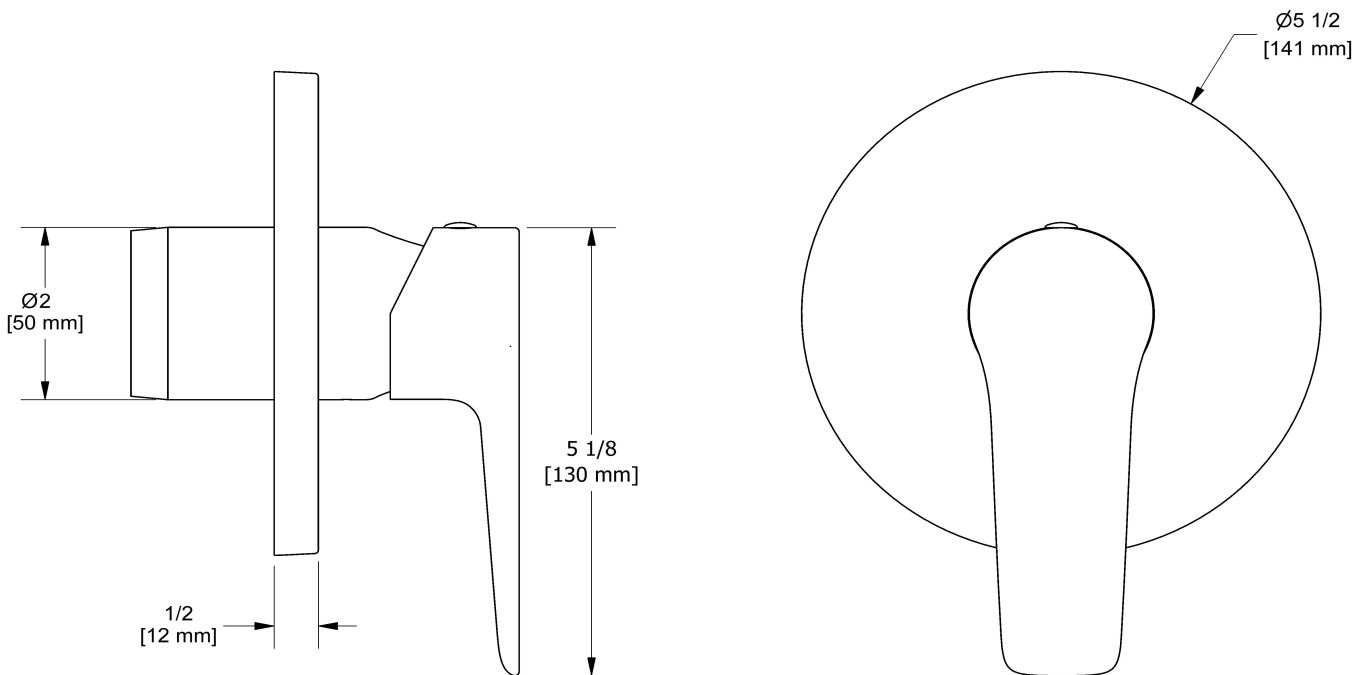
- Ceramic cartridge and balancing spool with check valves
- Trim only
- R71, R71-SPEX or R71-EX required to complete
- Double action: flow and temperature control

## Available flow

- 22 L/min, 5.8 gpm (US) 60psi

## Certifications

- CSA B125.1
- ASME A112.18.1
- ASSE 1016
- ADA



Sizes, models and finishes may differ from those presented.

## Warranty

This **Riobel PRO**, product you have purchased carries a Limited LIFETIME warranty on their cartridge. All working parts and finishes are guaranteed for a period of five (5) years from the initial purchase date against all manufacturing defects. All electric and/or electronic parts are covered by a 5-years limited warranty. The warranty offered on our products will be honored only if the installation is performed by a certified master plumber.

## Customer Service

Ontario, West Canada : 888-287-5354 Quebec, Maritimes, United States : 866-473-8442