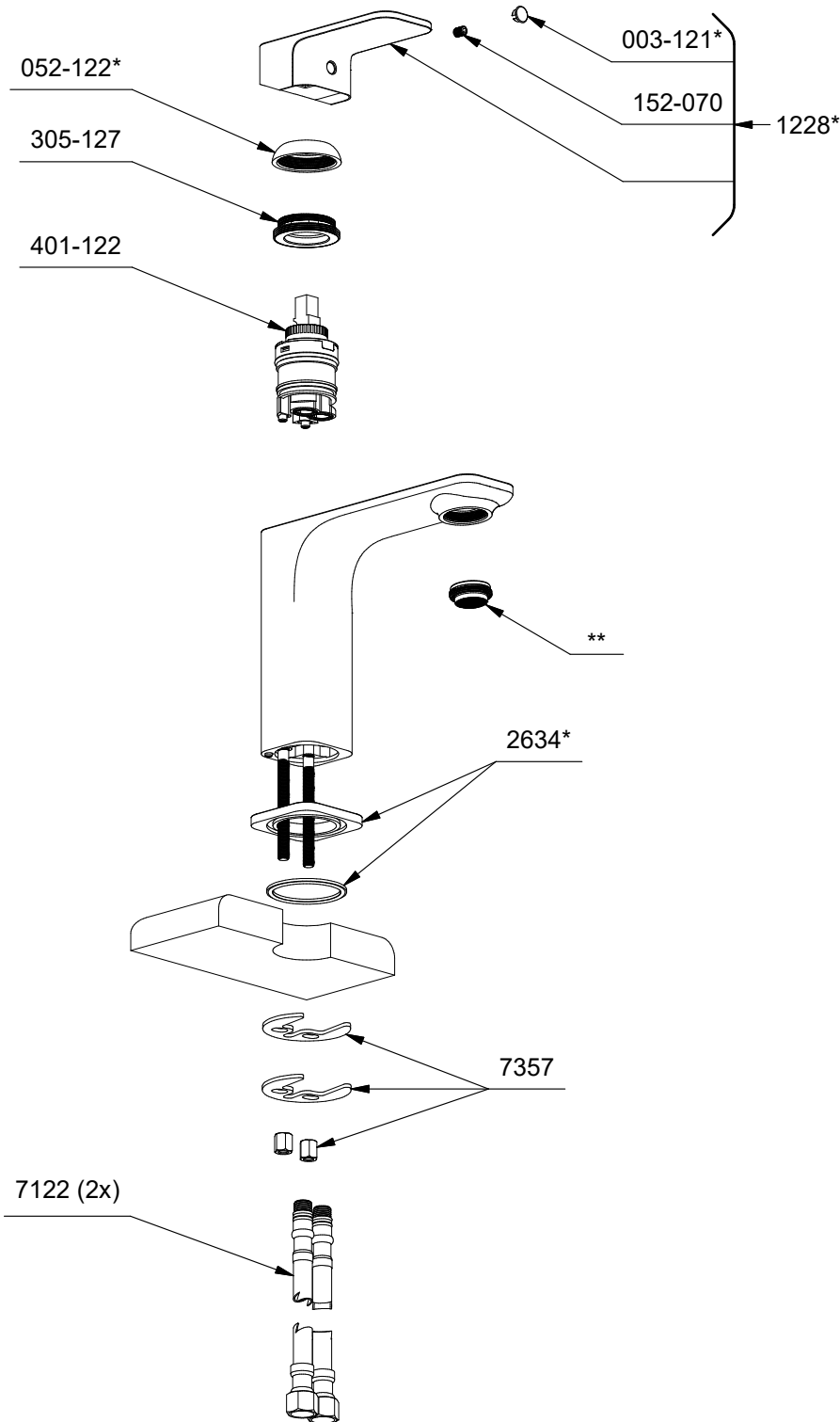


*Sizes, models and finishes may differ from those presented.



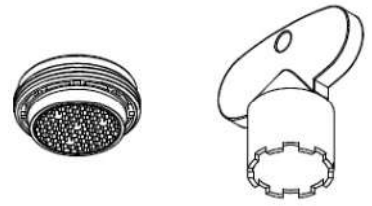
Push drain part view, see DB150

***Finish determined by Suffix**

Finish	Description
C	Chrome
BN	Brushed Nickel
BK	Black

****Aerator Kit (Include tool) :**

- S6-639-15 (1.5gpm / 5.7l/min)
- S6-639-12 (1.2gpm / 4.6l/min)
- S6-639-10 (1.0gpm / 3.8l/min)
- S6-639-05 (0.5gpm / 1.9l/min)



TOOL :

505-025 (Allen key 2.5mm)

